



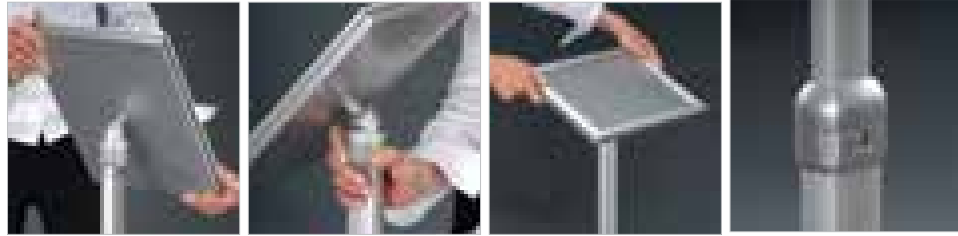


LEYKOM[®]
supplying suppliers.

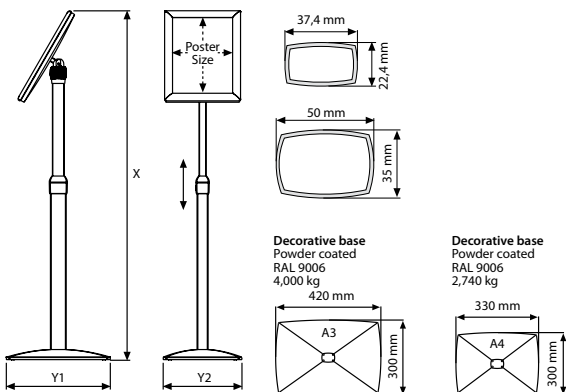
Display Menu Flexibil

 Packed unassembled with an easy-to-understand instruction sheet.

 Heavy base provides stability in highly frequented areas.



Patent : TR 2007 06354 - TR 2007 03453 - PCT/TR 2007/000131 - DE 20 2007 016 574 - OHIM 000748223-0001,2 - FR 760305 - US 29/295.750 - US D 597, 764 S - JP 2007-022472 - JP 2007-022473 - CN 200730321542.4 - CN 200730321543.



MATERIAL : Silver anodised aluminium						WEIGHT	PACKING SIZE	
ARTICLE	X max.	X min.	Y1	Y2	POSTER	DESCRIPTION	WITH PACKING	*W X H X D
UDMB6005A4	1205 mm	865 mm	330 mm	250 mm	297 X 210 mm	Landscape	5,165 kg	285 X 1030 X 102 mm
	1250 mm	910 mm	330 mm	250 mm	210 X 297 mm	Portrait	5,165 kg	285 X 1030 X 102 mm
UDMB6005A3	1250 mm	910 mm	420 mm	300 mm	420 X 297 mm	Landscape	6,745 kg	365 X 1110 X 102 mm
	1310 mm	970 mm	420 mm	300 mm	297 X 420 mm	Portrait	6,745 kg	365 X 1110 X 102 mm

3 YEAR WARRANTY



*W:Width H: Height D: Depth