

Quick Guide

BXT3-13



Light application
PP & PET / 9–13 mm



BXT3-16



Universal application
PP & PET / 13–16 mm



BXT3-19



Heavy industry application
PP & PET / 16–19 mm

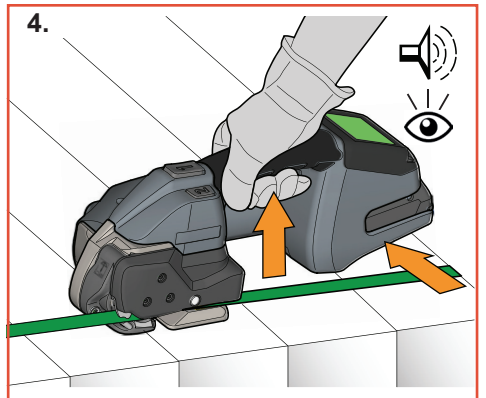
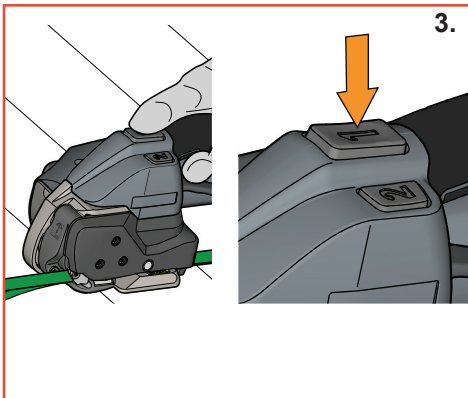
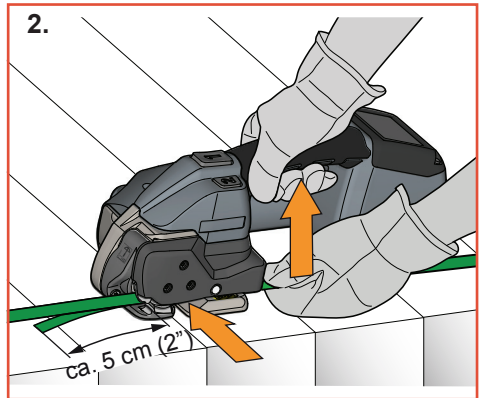
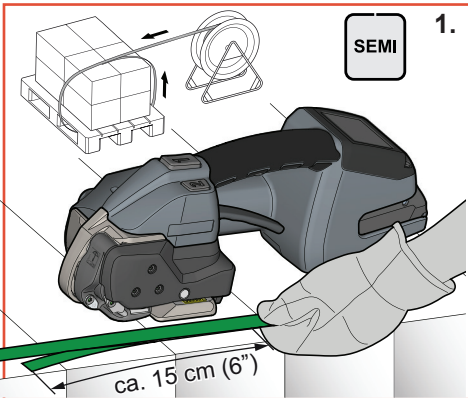


Package content

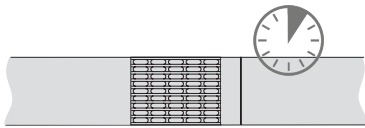
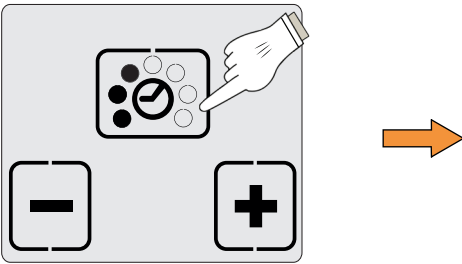
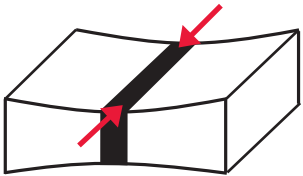
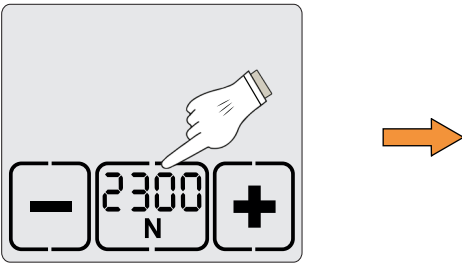
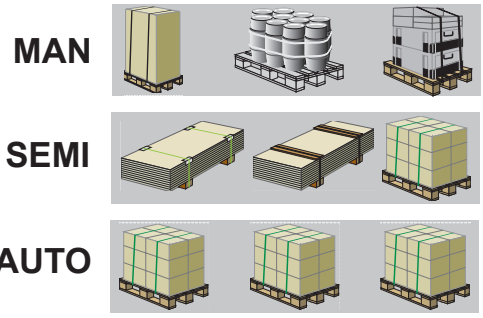
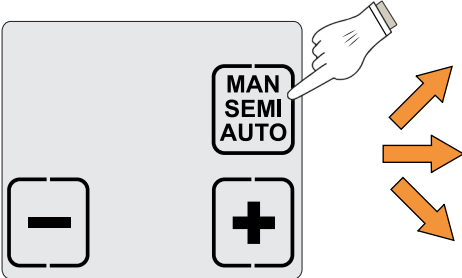
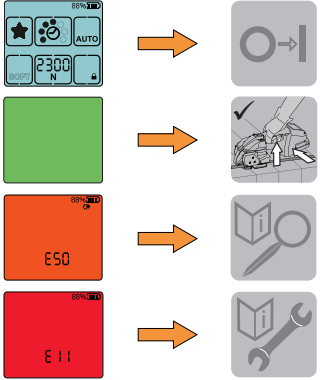
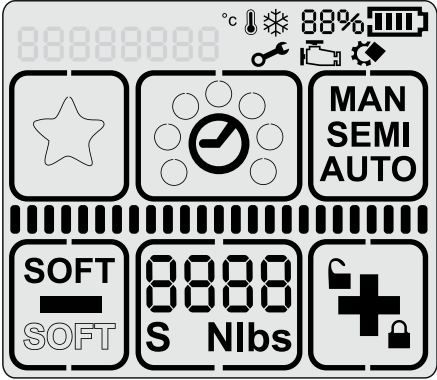


Operation

 For safety regulations, refer to operating instructions!



User interface



Cleaning/replacing wear parts



Accessories



Contact

Signode
c/o Signode Industrial Group GmbH
Orgapack Packaging Technology
Silbernstrasse 14
Postfach 595
8953 Dietikon 1, SWITZERLAND
www.sigpse.com



SIGNODE[®]